

# Installation Guide

## XYLO Bathroom Accessories & Non-Heated Rails

Version: 2.0

Thank you for choosing AVENIR Bathroom Accessories and for supporting Australian designed and manufactured products.

### PLEASE READ THIS INSTALLATION GUIDE

THE INSTALLATION PROCEDURE FOR THIS PRODUCT IS NOT THE SAME AS OTHER PRODUCTS.

USE THE FIXINGS WE SUPPLY – THEY HAVE BEEN TESTED AND WE KNOW THEY WORK.

THE WARRANTY COVERS MATERIAL AND WORKMANSHIP DEFECTS – NOT INSTALLATION ISSUES

#### SUPPLIED FIXING KIT

- The supplied fixing kit includes wall plugs, stainless steel screws, epoxy glue (*applies to items with single wall mounts only*) and a diamond drill bit. These are suitable for the below wall types. We suggest drilling the holes as far from the edges of the tiles as possible. It is not recommended to drill the fixing holes on the grout lines. When supplied, it is **ESSENTIAL** to use the supplied epoxy glue when **BOTH** inserting the wall plug(s) into the hole(s) **AND** when fixing the screw(s) into the wall plug(s). Failure to use the supplied wall plugs, screws and the epoxy glue will void the warranty.
  - Masonry walls with or without tiles.
  - Non-Masonry walls (stud walls) **with** tiles.

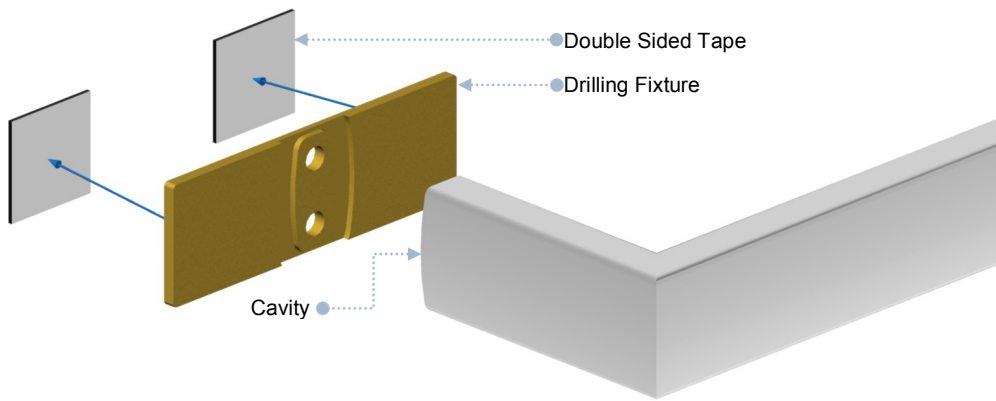
#### OPTIONAL FIXING KITS (*One required per wall mount*)

- **Plasterboard Fixing Kit:** Most Avenir accessories can be mounted onto plasterboard using the optional plasterboard fixing kit (sold separately). This includes a backing flange and expanding plasterboard toggles. This kit is **always** required for installation onto plasterboard, even if studs are provided behind the plasterboard.
- **Glass Fixing Kit:** Most Avenir accessories can be mounted onto toughened glass provided both sides of the glass are accessible (e.g. shower screens). Provision must be made for a single hole (10mm diameter) at each fixing location. Some items will require a slot (24mm x 10mm) - this requires a water jet cutting process. The hole or slot must be drilled/cut prior to the glass being toughened. Please consult your glass supplier for more information. Avenir produces a glass fixing kit (sold separately) for this purpose.
- **Glue Only Fixing Kit:** Most Avenir accessories can be fixed to a tiled or glass surface with our optional Glue Only Fixing Kit (sold separately). This includes a backing flange and special German glue (see: [www.glabete.com](http://www.glabete.com)) specially designed for bathroom accessories that is incredibly strong – no drilling is required and can also be removed completely later if required.

#### FAQ

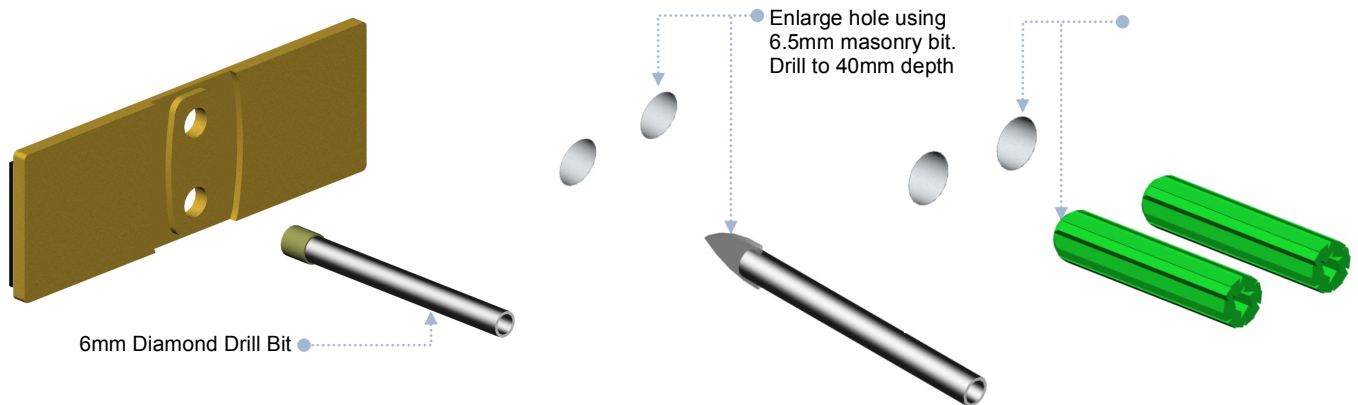
- **What does the warranty cover?** Avenir provides a ten-year warranty against material and workmanship defects. This does not cover installation issues. Avenir accessories and installation systems are tried and tested and work perfectly when the installation instructions are followed **AND** our fixings are used. We do not come to site to rectify accessories that are not firmly fixed to the wall. This is an installation issue and not a product fault.
- **If I have lost some of the components or I need some advice, what do I do?** Give us a call – we are always happy to assist over the phone or send you free replacement parts if missing or lost.

## INSTALLATION PROCEDURE (for tiled or masonry walls)



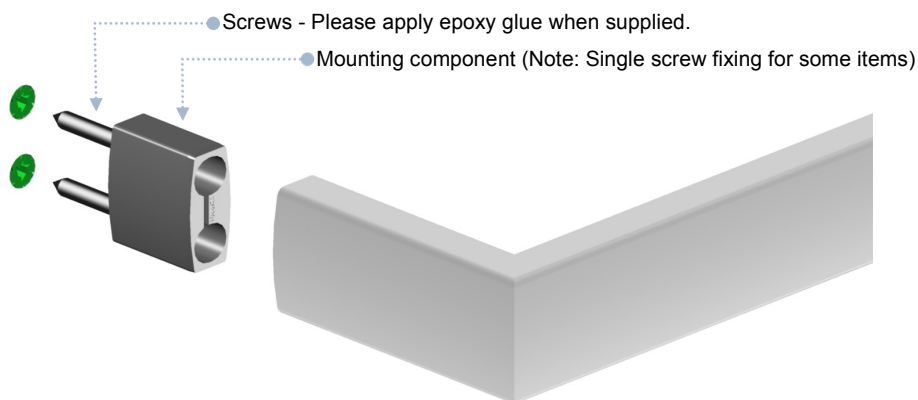
### Prepare the Drilling Fixture(s)

Fit the supplied drilling fixture(s) into the cavity at the back of the accessory. Apply the double-sided tape to the flat face of each fixture. With the fixture(s) still attached to the accessory, press the drilling fixture(s) to the wall at the desired location and remove the accessory leaving the drilling fixture(s) located in the exact location.



### Drill the Holes in the Wall

Using the drilling fixture(s) as a guide and the supplied 6mm diamond bit, drill holes through the wall surface. NOTE: The diamond drill bit is only used to create a pilot hole about 10mm deep and must be used in conjunction with plenty of water and at a slow speed. Remove the drilling fixtures(s) and double-sided tape. Use a standard 6.5mm masonry bit (*not supplied*) to enlarge the holes and drill to a depth 40mm. Mix and apply epoxy glue to wall plugs prior to inserting into the wall (*Epoxy applies to items with single wall mounts only*).



### Attached the Accessory

Insert the screws through the mounting component(s) and again apply epoxy glue onto the screws prior to inserting them into the wall plugs (*Epoxy applies to items with single wall mounts only*). Fit accessory onto mounting component(s) and tighten the grub screw(s). Note: Epoxy glue dries in 30 minutes. Allow excess epoxy to cover and bond between the accessory and the wall. Clean up excess epoxy glue after 1 hour using a sharp blade.

# Installation Guide

ABOVE/BEYOND/XYLO Bathroom Accessories with L-Bracket

Version: 1.0

avenir®  
FUTURE DESIGN

Thank you for choosing AVENIR Bathroom Accessories and for supporting Australian designed and manufactured products.

## PLEASE READ THIS INSTALLATION GUIDE

THE INSTALLATION PROCEDURE FOR THIS PRODUCT IS NOT THE SAME AS OTHER PRODUCTS.

USE THE FIXINGS WE SUPPLY – THEY HAVE BEEN TESTED AND WE KNOW THEY WORK.

THE WARRANTY COVERS MATERIAL AND WORKMANSHIP DEFECTS – NOT INSTALLATION ISSUES

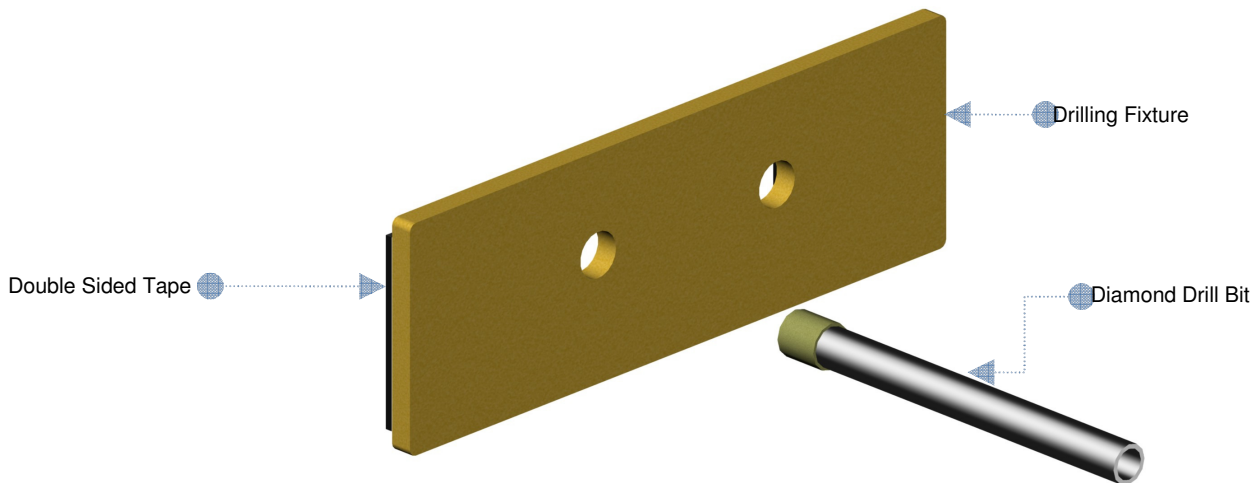
### SUPPLIED FIXING KIT

- The supplied fixing kit includes wall plugs, stainless steel screws and a diamond drill bit. These are suitable for the below wall types, we suggest drilling the holes as far from the edges of the tiles as possible. It is not recommended to drill the fixing holes on the grout lines. Please note the supplied mounting components work differently to most other accessories on the market – they lock the accessory by expanding from the inside when you tighten the grub screw. For this reason, it is important not to over tighten the grub screw. Also, to remove the product, loosen the grub screw but do not try to remove it.
  - Masonry walls with or without tiles.
  - Non-Masonry walls (stud walls) **with** tiles.
  - Can be used on plasterboard with studs behind (not ideal)

### FAQ

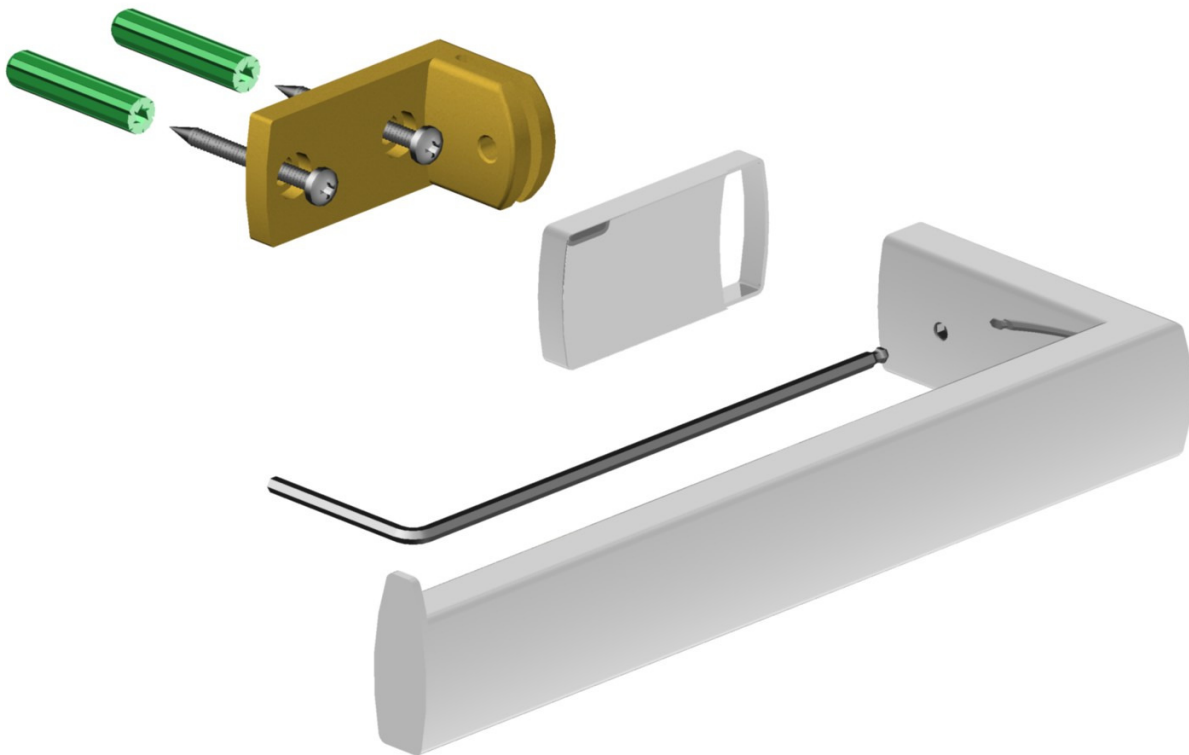
- **What does the warranty cover?** Avenir provides a ten-year warranty against material and workmanship defects. This does not cover installation issues. Avenir accessories and installation systems are tried and tested and work perfectly when the installation instructions are followed **AND** our fixings are used. We do not come to site to rectify accessories that are not firmly fixed to the wall. This is an installation issue and not a product fault.
- **If I have lost some of the components or I need some advice, what do I do?** Give us a call – we are always happy to assist over the phone or send you a free replacement part if it's missing or lost.

## INSTALLATION PROCEDURE



### Drill the Holes in the Wall

**Tiles:** Using the supplied diamond bit and the drilling fixture as a guide, drill pilot holes in surface of the tiles to a depth of about 10mm. It is essential that the diamond drill bit be used in conjunction with plenty of water and at a slow speed. Remove the drilling fixture and double-sided tape from the wall. Use a 6.5mm masonry bit to drill the pilot holes to a depth sufficient to accommodate the supplied wall plugs (40mm). **NO TILES:** Use a 6.5mm masonry drill bit only.



### Attached the Accessory

Insert the supplied wall plugs into the holes in the wall and fix the L-shaped bracket using the supplied stainless steel screws. Place the chrome plated cover over the L-shaped bracket and then fit accessory onto mounting component(s) and lightly tighten grub screw – Do not over tighten!

# Installation Guide

## XYLO (Shelves) Bathroom Accessories

Version: 2.1

Thank you for choosing AVENIR Bathroom Accessories and for supporting an Australian designed and manufactured products.

### PLEASE READ THIS INSTALLATION GUIDE

THE INSTALLATION PROCEDURE FOR THIS PRODUCT IS NOT THE SAME AS OTHER PRODUCTS.

USE THE FIXINGS WE SUPPLY – THEY HAVE BEEN TESTED AND WE KNOW THEY WORK.

THE WARRANTY COVERS MATERIAL AND WORKMANSHIP DEFECTS – NOT INSTALLATION ISSUES

#### SUPPLIED FIXING KIT

- The supplied fixing kit includes screws, wall plugs and a diamond drill bit. These are suitable for the below wall types. We suggest drilling the holes as far from the edges of the tiles as possible. It is not recommended to drill the fixing holes on the grout lines.
  - Masonry walls with or without tiles.
  - Non-Masonry walls (stud walls) **with** tiles.
  - Non-Masonry walls (stud walls) **with** timber supports behind wall lining.

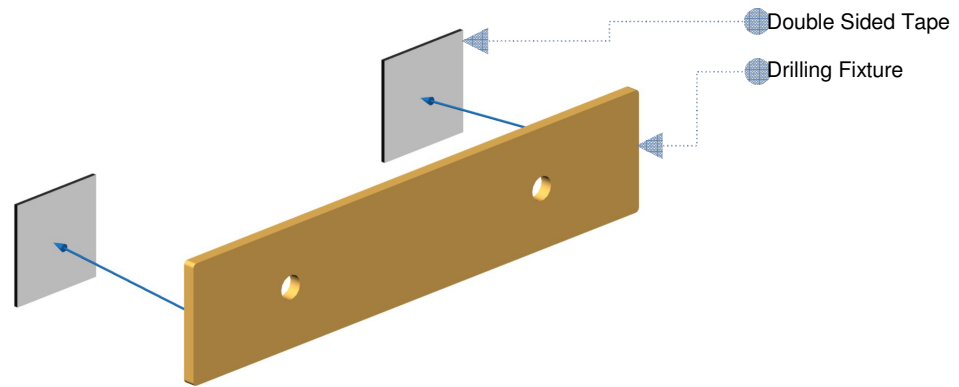
#### OPTIONAL FIXING KITS

- There are no optional fixing kits that are suitable for this product.

#### FAQ

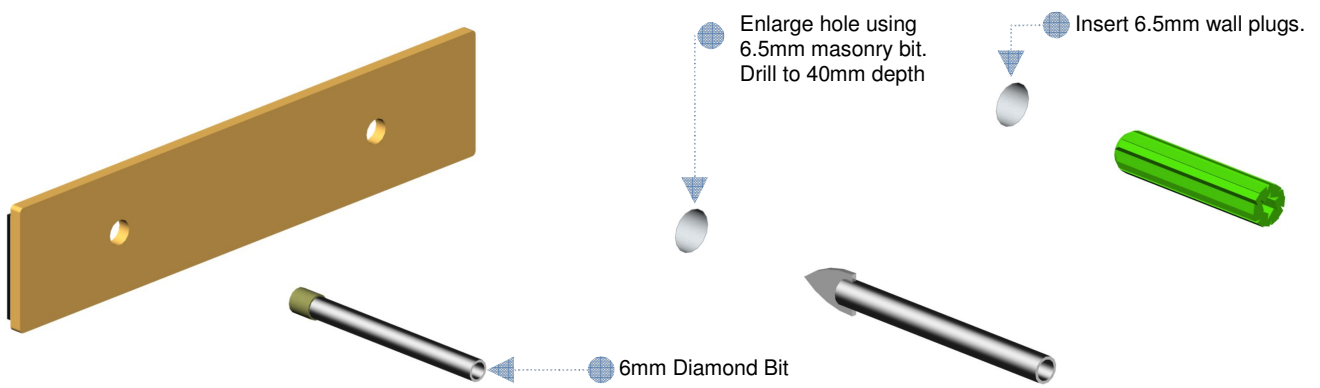
- **What does the warranty cover?** Avenir provides a ten-year warranty against material and workmanship defects. This does not cover installation issues. Avenir accessories and installation systems are tried and tested and work perfectly when the installation instructions are followed **AND** our fixings are used. We do not come to site to rectify accessories that are not firmly fixed to the wall. This is an installation issue and not a product fault.
- **If I have lost some of the components or I need some advice, what do I do?** Give us a call – we are always happy to assist over the phone or send you free replacement parts if it's missing or lost.

## INSTALLATION PROCEDURE (for tiled or masonry walls)



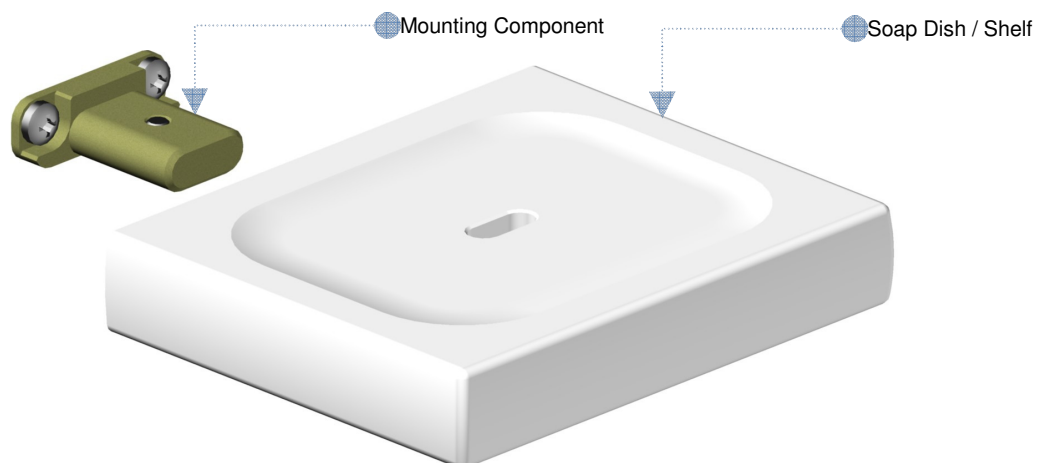
### Prepare the Drilling Fixture(s)

Apply the double-sided tape to the MDF drilling fixture. Stick the fixture to the wall at the desired location.



### Drill the Holes in the Wall

Using the drilling fixture(s) as a guide and the supplied 6mm diamond bit, drill holes through the wall surface. NOTE: The diamond drill bit is only used to create a pilot hole about 10mm deep and must be used in conjunction with plenty of water and at a slow speed. Remove the drilling fixtures(s) and double-sided tape. Use a standard 6.5mm masonry bit (*not supplied*) to enlarge the holes and drill to a depth 50mm. Insert supplied wall plugs into the 6.5mm x 40mm holes.



### Attached the Accessory

Fasten the mounting component(s) to the wall using the supplied stainless steel screws. Fit accessory onto mounting component(s) and **LIGHTLY** tighten the grub screw(s).

**NOTE:** It is VERY important not to over tighten the grub screw(s) – Screw contact + 1/8 turn only (Max).

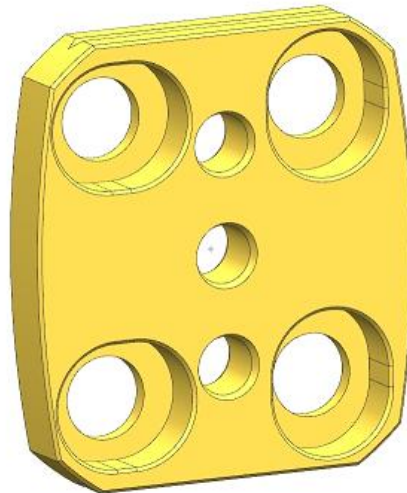
# Installation Guide

## XYLO Plasterboard Fixing Kit

Version: 1.01

Thank you for choosing AVENIR Bathroom Accessories and for supporting Australian designed and manufactured products.

### INSTALLATION PROCEDURE



1. Using the brass-mounting flange as a template, mark 4 holes on the plasterboard surface.
2. Drill 4 x 8mm holes in the plasterboard.
3. Insert the 4 supplied plasterboard anchors into the holes.
4. Remove the screws from the anchors and insert them through the brass mounting plate and back into the anchors.
5. Tighten the screws carefully to avoid over tightening.
6. Cover the brass flange with the supplied chrome cap
7. Using the supplied M5 screws, mount the plastic wall mounting onto the brass flange.
8. Fit the bathroom accessory onto the plastic wall mounting components.
9. Tighten the fixing grub screw.

Please note: Plasterboard is not an ideal material to mount bathroom accessories – this kit will provide the best possible mounting durability, however the strength of this method of fixing is limited by the inherent weakness of plasterboard material.